

Edson Installation Instructions

Please read and understand all instructions before installing product!

OUTBOARD MOTOR MOUNT Part #521

Parts Included

- (1) "Starboard" backing board
- (1) Stainless Steel Pad
- (1) Stainless Steel Cleat w/ bolts
- (6) 1/4-20 Flat Head Stainless Screws

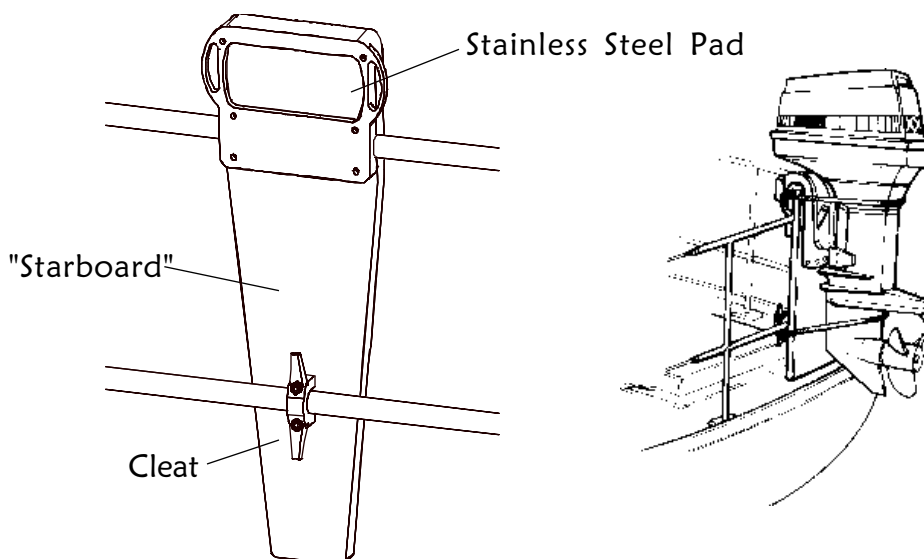
Tools Needed

- Drill
- 9/32" drill bit
- Phillips Screwdriver
- 7/16" wrench
- Adjustable wrench

1. Take the Stainless Steel Pad and "Starboard" backing board apart by removing screws.
2. Fit both halves loosely to the stern rail with the Stainless Steel Pad to the inside of the rail.
3. Once the correct position is determined, screw the two pieces back together.
4. Where the lower horizontal rail crosses the "Starboard", attach cleat on the inside of the board. Mark, drill with 9/32" bit, and bolt on with 1/4-20 bolts, nuts and washers.
5. Tighten all bolts. Make sure engine fits securely on pad and that you can tie the engine down with a small piece of line (see sketch).
6. Be sure engine is securely tied onto board and engine mounts are tightened whenever engine is stored on the Edson Outboard Motor Mount. Use the tilt feature on the engine to allow the lower unit to rest on the starboard or add a block of wood to provide this support.

Edson's Philosophy:

There is no such thing as a "dumb" question. If these directions are not clear or if you have any questions, call or fax us. Edson's Customer Service Department is rated as one of the best in the Industry!



Edson