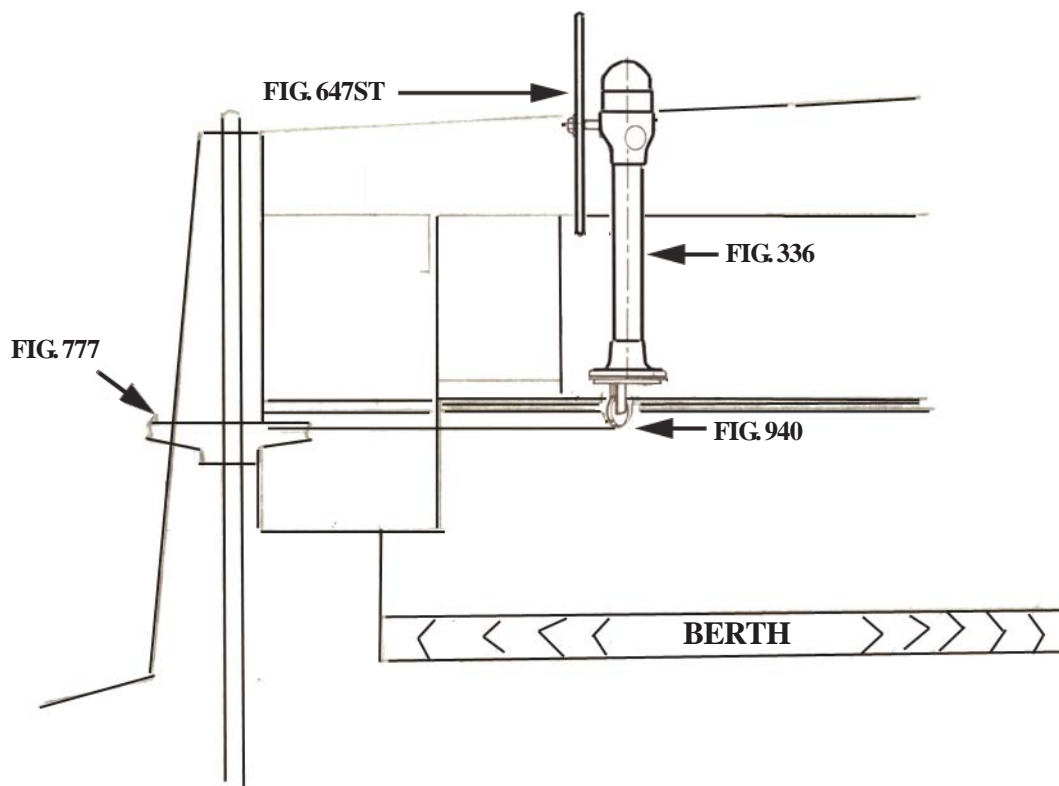




# BENETEAU 305

THIS SCHEMATIC IS INTENDED TO PROVIDE AN OUTLINE FOR DESIGNING YOUR SYSTEM. COMPLETE INSTRUCTIONS FOR INSTALLATION CAN BE FOUND IN OUR "PLANNING & INSTALLATION GUIDE", WHICH CAN BE FOUND ONLINE.



VISIT US ONLINE AT  
[WWW.EDSONMARINE.COM](http://WWW.EDSONMARINE.COM)

1 FIG. 336-5-211T  
 1 FIG. 647ST-26-5  
 1 FIG. 775-2S15B9  
 1 FIG. 940AL-28/4  
 1 FIG. 777-6.5  
 2 FIG. 618-1-312  
 4 FIG. 646-4HEX  
 4 FIG. 665ST-187  
 2 FIG. 643-187  
 1 FIG. 697-?

CLASSIC PEDESTAL STEERER-TAPERED  
 DISHED DESTROYER WHEEL  
 CHAIN & WIRE ROPE ASSEMBLY  
 RECESSED CROSSED WIRE IDLER  
 RADIAL DRIVE WHEEL  
 WIRE TAKEUP EYES  
 PEDESTAL MOUNTING BOLTS  
 WIRE ROPE CLAMPS  
 WIRE ROPE THIMBLES  
 STUFFING BOX/BEARING (VERIFY SIZE)