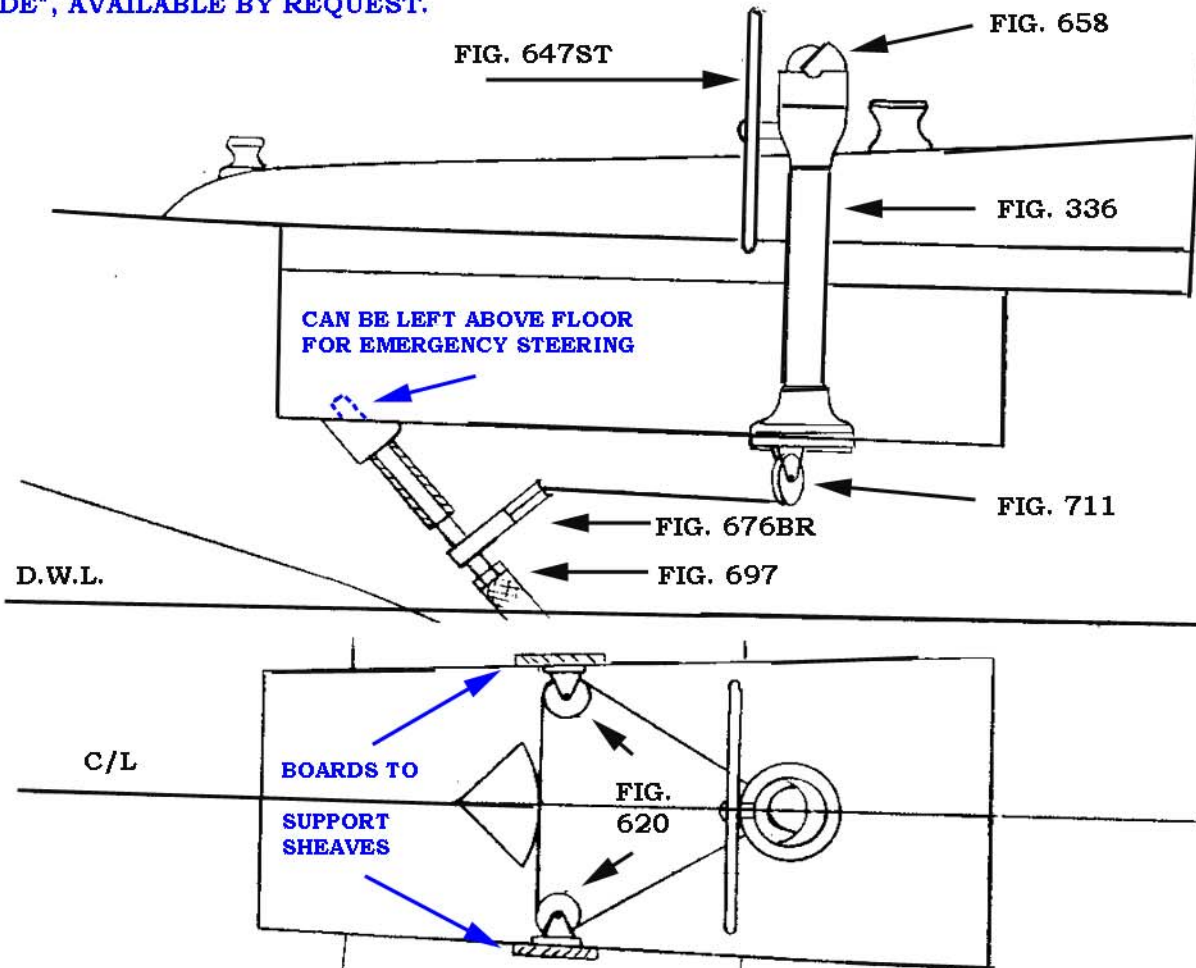




ALBERG 37

THIS SCHEMATIC IS INTENDED TO PROVIDE AN OUTLINE FOR DESIGNING YOUR SYSTEM. COMPLETE INSTRUCTIONS FOR INSTALLATION CAN BE FOUND IN OUR "PLANNING & INSTALLATION GUIDE", AVAILABLE BY REQUEST.



- | | |
|-------------------|----------------------------|
| 1 FIG. 336-5-211T | CLASSIC PEDESTAL STEERER |
| 1 FIG. 647ST-24-5 | DISHED DESTROYER WHEEL |
| 1 FIG. 775-2S2B10 | CHAIN & WIRE ROPE ASSEMBLY |
| 1 FIG. 711AL-4AL | ADJUSTABLE IDLER |
| 2 FIG. 620BR-4AL | UPRIGHT SINGLE SHEAVE ASSY |
| 1 FIG. 676BR-10 | LARGE BORE QUADRANT |
| 2 FIG. 618-1-312 | WIRE TAKEUP EYES |
| 4 FIG. 646-4HEX | PEDESTAL MOUNTING BOLTS |
| 4 FIG. 665ST-187 | WIRE ROPE CLAMPS |
| 2 FIG. 643-187 | WIRE ROPE THIMBLES |
- (A FIG. 697 STUFFING BOX/BEARING MAY BE REQUIRED)

ALBERG 37 S-273-2